

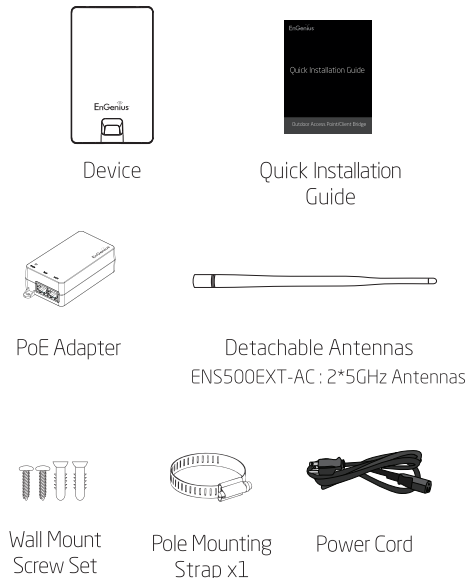
# Quick Installation Guide

ENS500-AC  
ENS500EXT-AC  
EnStation5-AC  
EnStationAC  
ENH500  
Version 2.0

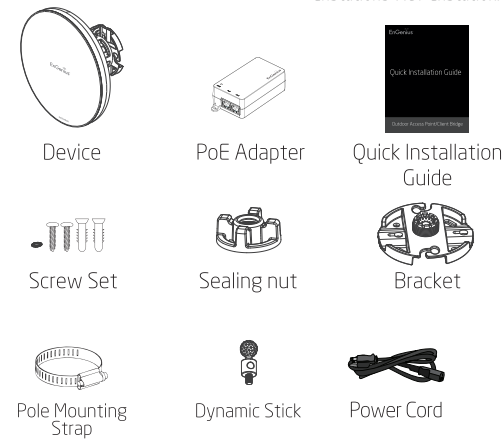
## Outdoor Access Point/Client Bridge

# Package Contents

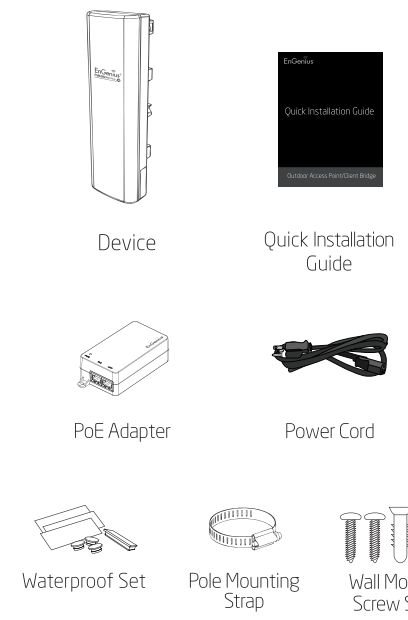
ENS500-AC / ENS500EXT-AC



EnStation5-AC / EnStationAC



ENH500



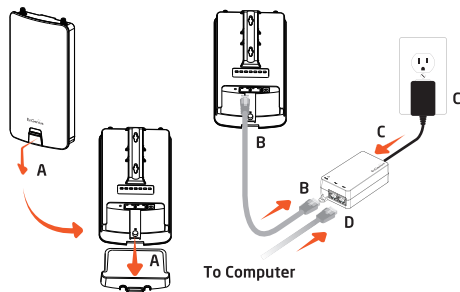
# Minimum Requirements

- + Broadband Internet Service (Cable or DSL Modem)
- + Internet Browser (Internet Explorer, Safari, Firefox, Chrome, Edge)

# 1 Connecting the device

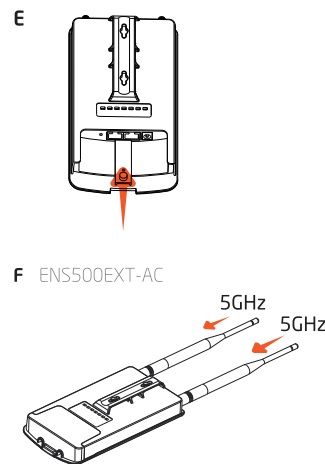
ENS500-AC / ENS500EXT-AC

- Remove the rear bottom panel
- Connect one end of the Ethernet cable into the LAN(PoE) port of the AP/Bridge and the other end to the PoE Port on the PoE Adapter.
- Connect the Power cord with the PoE Adapter and plug the other end into an electrical outlet.
- Connect the second Ethernet cable into the LAN port of the PoE Adapter and the other end to the Ethernet Port on the computer.
- Place the panel removed from step A back into the device.



- Screw on the provided antennas to the top of devices (External Antennas devices only).

**Note:** The device should ONLY be powered via Ethernet cable connected to the included PoE Adapter.



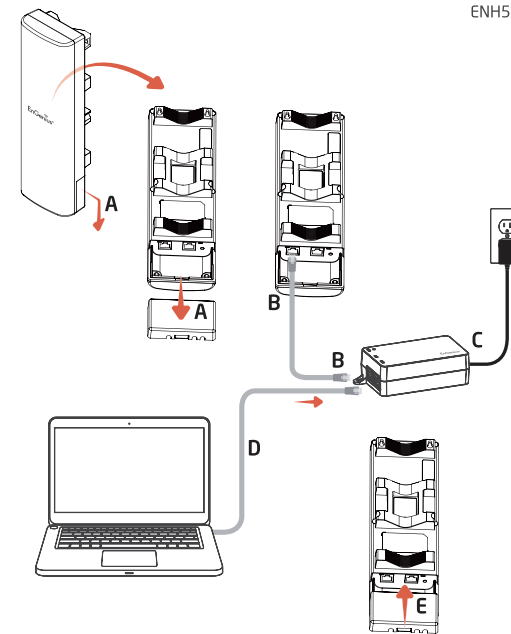
ENH500

EnStation5-AC / EnStationAC

- Remove the rear bottom panel.
- Connect one end of the Ethernet cable into the LAN(PoE) port of the CPE and the other end to the PoE Port on the PoE Adapter.
- Connect the Power cord to the PoE Adapter and plug the other end into an electrical outlet.
- Connect the second Ethernet cable into the LAN port of the PoE Adapter and the other end to the Ethernet Port onto the computer.
- Place the panel removed from step A back into the device

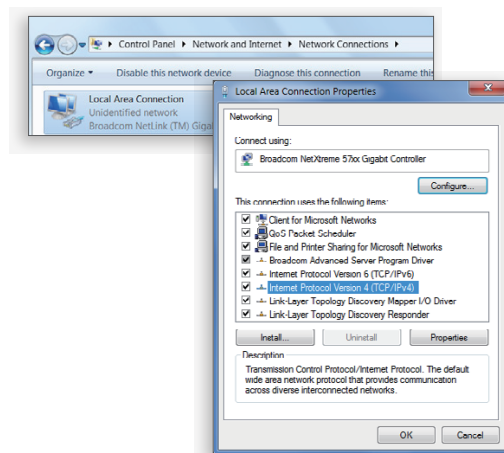
**Note:**

- + the device should ONLY be powered via Ethernet cable connected to included PoE Adapter. EnStation5-AC / EnStationAC support Proprietary 24V/54V PoE input.
- + For EnStationAC : The 2nd Ethernet port of the device can supply the 802.3af power source when used with the included PoE Adapter.

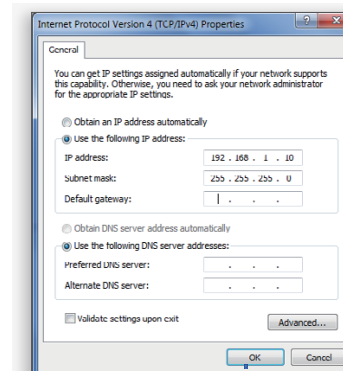


# 2 IP Address Configuration

- Once your computer is on, ensure that your TCP/IP is set to On or Enabled. Open **Network Connections** and then click Local Area Connection. Select **Internet Protocol Version 4 (TCP/IPv4)**.

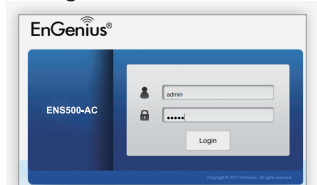
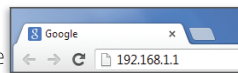


- If your computer is already on a network, ensure that you have set it to a Static IP Address on the interface. (Example: 192.168.1.10 and the Subnet Mask address as 255.255.255.0.)



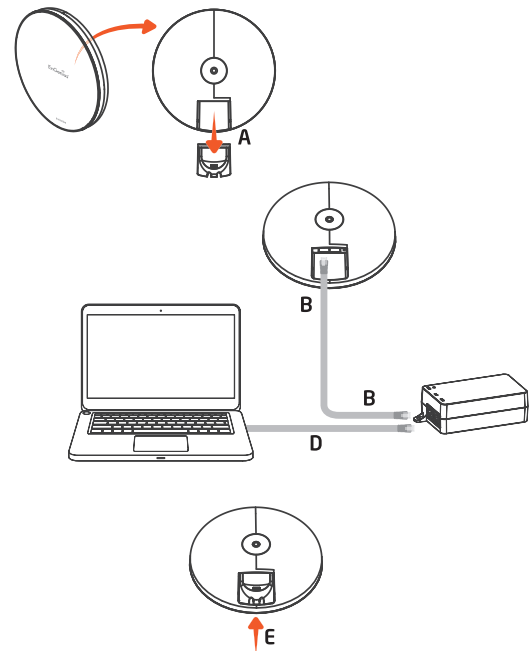
# 3 Device Setup

- In the address bar of web browser, enter **192.168.1.1** and hit enter. To configure the device, open a web browser.
- A login screen will appear. By default, the user-name of the device is **admin** and the password is **admin**. Enter the current username and password of the device and then click **Login**.



**Note:** The model name on login screen depends on the product you are using.

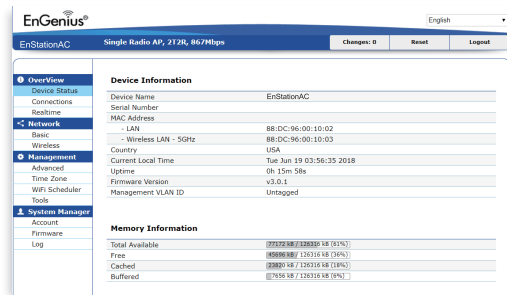
- You can also use the EnWiFi App and connect to the management SSID which is on the device label and GUI to configure the device. The default Wi-Fi password is 12345678.



# 4 Switching Modes

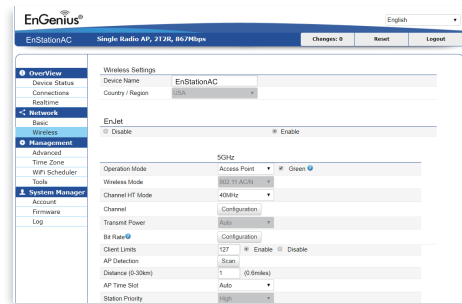
## Configure on GUI

- A) The device can operate in the following modes.  
 EnJet enabled: Access Point, Client Bridge, WDS AP, WDS Station.  
 EnJet disabled: Access Point, Client Bridge, WDS AP, WDS Bridge, WDS Station.



Note: The model name on login screen depends on the product you are using.

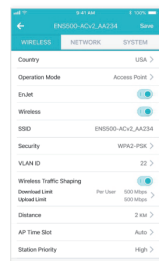
- B) Click on the **Wireless** link under the **Network** and setup the Operation Mode.



\* It may take up to 90 seconds for device to initially power up.

## Configure on EnWiFi App

- C) Use EnWiFi App, open configure → Wireless to setup the Operation Mode.



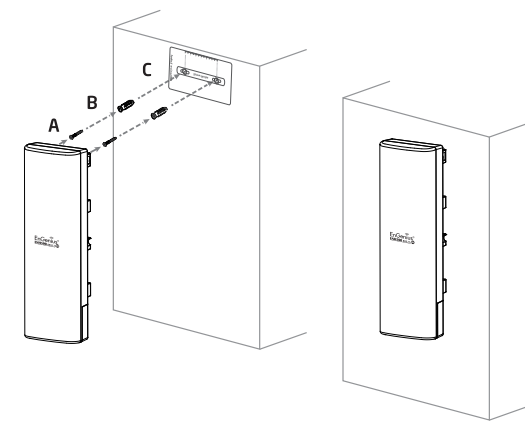
# 5 Mounting the Device

## Wall Mounting

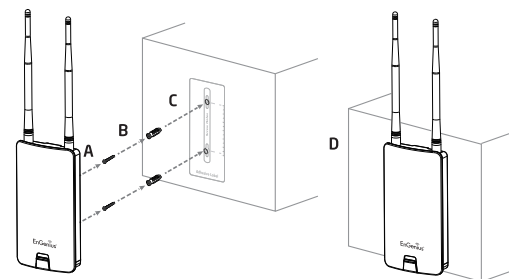
ENS500-AC / ENS500EXT-AC / ENH500

ENH500

- Determine where the Access Point to placed and stick the Adhesive label on the surface.
- Use the appropriate drill bit drill two 8.1 mm diameter and 26 mm depth holes on the markings of the label.
- Remove the label and Screw the anchors unto the holes until they are flush with the wall.
- Screw the includes screws into the anchors. place the Access Point against wall with the mounting screw heads.

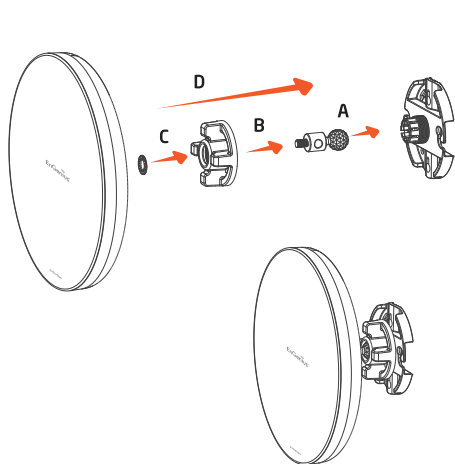


ENS500-AC / ENS500EXT-AC

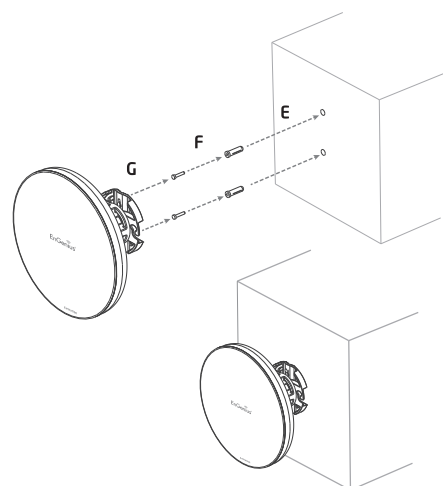


EnStation5-AC / EnStationAC

- Plug the dynamic stick into the bracket.
- Screw the sealing nut and assembled parts, tighten it with **80kgf.cm**.
- Put the lock washer on the dynamic stick.
- Assemble the mounting parts to the device.



- Determine the mounting location. Mark and drill two pilot holes aligning to the screw holes of the bracket.
- Put wall anchors into the holes and insert screw into the wall anchor.
- Screw and secure the bracket in place.

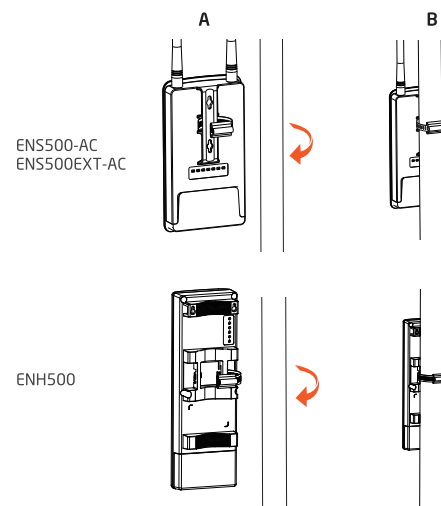


## Pole Mounting

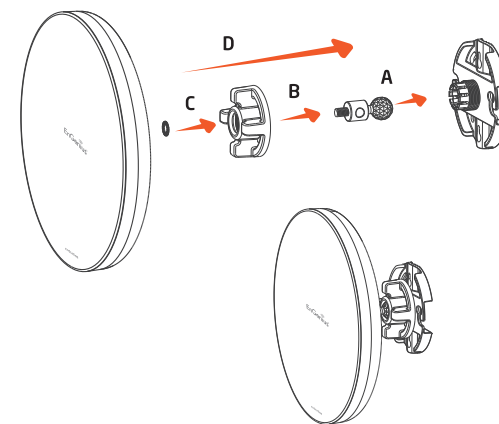
ENS500-AC / ENS500EXT-AC / ENH500

EnStation5-AC / EnStationAC

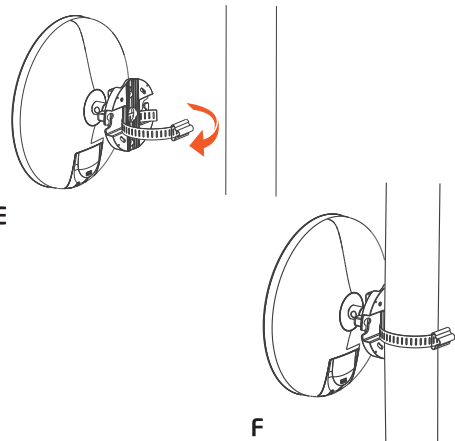
- Thread the open end of the Pole Strap through the two tabs on the Pole Mount Bracket.
- Lock and tighten Pole Strap to secure Pole Mount Bracket to the pole.



- Plug the dynamic stick into the bracket.
- Screw the sealing nut and assembled parts, tighten it with **80kgf.cm**.
- Put the lock washer on the dynamic stick.
- Assemble the mounting parts to the device.



- Thread the open end of the pole strap through the two tabs on the bracket.
- Lock and tighten pole strap to secure bracket to the pole.



## Technical Support

Country of Purchase Service Center Service Information

**North America**  
[www.engenius-tech.com](http://www.engenius-tech.com) Los Angeles, USA support@engenius-tech.com  
 Local: (+1) 714 432 8668

[www.engeniuscanada.com](http://www.engeniuscanada.com) Canada ma@engeniuscanada.com  
 Local: (+1) 905 940 8181

**Europe**  
[www.engeniusnetworks.eu](http://www.engeniusnetworks.eu) Netherlands support@engeniusnetworks.eu  
 Local: (+31) 40 8200 887

**Africa / CIS / Middle East**  
[www.engenius-me.com](http://www.engenius-me.com) Dubai, UAE support@engenius-me.com  
 Local: (+971) 4 357 5599

**Asia / Oceania**  
[www.engenius-tech.com.sg](http://www.engenius-tech.com.sg) Singapore techsupport@engenius-tech.com.sg  
 Local: (+65) 6227 1088

**Taiwan**  
[www.engenius-tech.com.tw](http://www.engenius-tech.com.tw) Taiwan, R.O.C. twsupport@engeniusnetworks.com  
 Toll Free: 0800 003 885

## Notes