



# Din Rail Industrial PoE Injector

**PIR030-24-GS-B** is single port PoE injector complies with IEEE802.3 at/af which provides maximum 30W power over CAT5 or 5e UTP/STP Ethernet cable by two pairs, It also supports two redundant DC input from 20Vdc~60Vdc for industrial backup. The device can be connected to Ethernet powered devices, such as wireless AP, IP camera and other Ethernet end terminals that allows delivering and operating both data and power over a Ethernet cable in industrial environment from -40 to 75°C for any severe application.

**PIR075-24-GP-B** is single port passive PoE injector which provides maximum 75W power over CAT5 or 5e UTP/STP Ethernet cable by four pairs, It also supports two redundant DC input from 20Vdc~60Vdc for industrial backup. The device can be connected to Ethernet powered devices, such as wireless LAN high power device, pan-tilt-zoom (PTZ), speed dome cameras, IP videophones and other high power Ethernet end terminals that allows delivering and operating both data and power with the proprietary 54V-compatible device over a Ethernet cable in industrial environment from -40 to 75°C for any severe application.

## Features

- PIR030-24-GS-B: 54V, 30 Watts of High Power-over-Ethernet
- PIR075-24-GP-B: 54V, 75 Watts of High Power-over-Ethernet
- IEEE802.3af/at compliant (Only for PIR030-24-GS-B)
- Support 10/100/1000Mbps for PoE OUT and DATA IN
- Two DC Input for power redundancy with range from 20Vdc~60Vdc
- Industrial rated IP30
- -40 to 75°C operating temperature range
- Din-rail and Wall mount

## Technical Specifications

### Output

	PIR075-24-GP-B	PIR030-24-GS-B
DC Voltage	54V	54V
Rated Current	1.4A	0.6A
Operation Current	0~1.4A	0~0.6A
Rated Power	75W max	30W max
Ripple & Noise	100mV <sup>Note</sup>	100mV <sup>Note</sup>
4-Pair Powering	1/2 (-) and 3/6 (+) Spare Pairs 4/5 (+), 7/8 (-)	4/5 (+), 7/8 (-)
Gigabit LAN Port	Yes	Yes
LAN Transformer	Yes	Yes
IEEE 802.3af/at Compliant	No	Yes
Output Voltage Tolerance	±5%	±5%
Line Regulation	±1%	±1%
Load Regulation	±3%	±3%
Turn On Time & Rise Time	<1s,100ms @24Vdc / 54Vdc at full load	<1s,100ms @24Vdc / 54Vdc at full load

Note: <500Hz Vp-p=500mV; 500Hz to 150kHz Vp-p=200mV; 150kHz to 500kHz Vp-p=150mV; 500kHz to 1MHz Vp-p=100mV

## Technical Specifications

### Input A & B

	PIR075-24-GP-B	PIR030-24-GS-B
Voltage Range	24Vdc~54Vdc	24Vdc~54Vdc
Operation Voltage	20Vdc~60Vdc	20Vdc~60Vdc
Efficiency(Typ.)	85%@24Vdc / 54Vdc at full load	80%@24Vdc / 54Vdc at full load
DC Current (Full Load)	4A / 24Vdc	2A / 24Vdc

#### Protection

##### Over Power Protection, Short Circuit Protection

Protection Type: Auto-Recovery

##### Over Voltage

<60V@24Vdc / 54Vdc at full load

Protection Type: Latch(Re-Start)

##### Over Temperature

90°C± 5°C

Protection Type: Auto-Recovery

#### Environment

##### Operation Temp.

-40°C~75°C

##### Working Humidity

5%~90% RH Non-Condensing

#### Storage Temp., Humidity

-40°C~85°C, 5%~95% RH

#### Temp. Coefficient

±0.03%/°C (0°C~50°C)

#### Hi-Pot

##### Dielectric Withstanding Voltage

I/P-O/P: 1.5KVac, I/P-FG: 1.5KVac

#### Others

##### MTBF

400,000 hrs min SR332 (25°C)

#### Dimensions

100mm x 31mm x 140mm (Lx Wx H)

#### Weight

560g

#### DC Connector

6-Contact Terminal Block

#### Data In/ PoE Out

RJ45 Shielded Socket

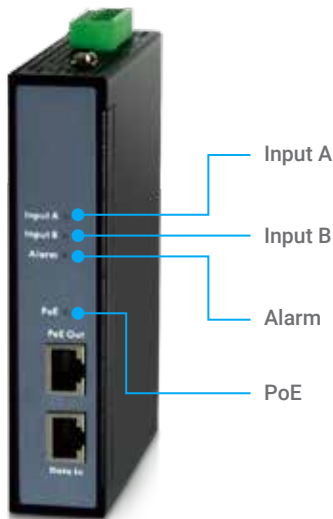
#### Safety

UL, CB, FCC, CE

#### Note

- All parameters NOT specially mentioned are measured at 24Vdc/54Vdc input, rated load and 25°C of ambient temperature.
- Ripple current is measured at 20MHz of bandwidth. The measured terminal is paralleled with a 47uF E-cap and a 0.1uF Ceramic cap.

## LED Definition



Indication	PIR030-24-GS-B			PIR030-24-GS-B		
	Description	Color	Behavior	Description	Color	Behavior
Input A	Source power 1 is connected	Green	On/off	Source power 1 is connected	Green	On/off
Input B	Source power 2 is connected	Green	On/off	Source power 2 is connected	Green	On/off
Alarm	1 source power is Fault	Red	On/off	1 source power is Fault	Red	On/off
PoE	IEEE802.3 PD is connected	Green	On/off	PoE power on	Green	On/off