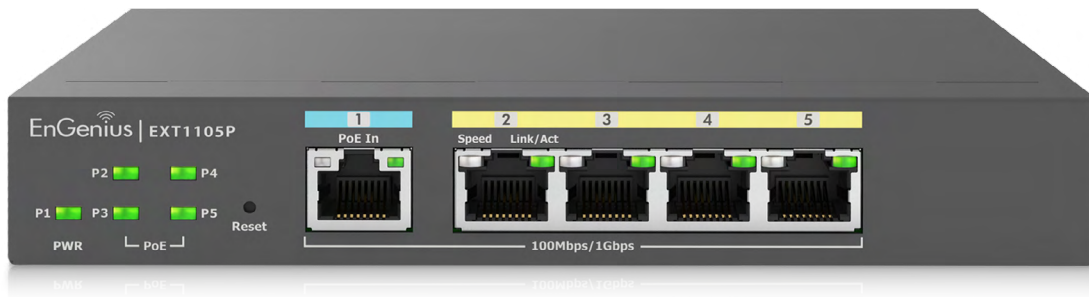


EXT1105P



EnGenius Cloud Managed 5-Port 60W Gigabit PoE Switch Extender

Simply Network Extension, Enhance Connectivity



Product Highlights

The EnGenius EXT1105P Cloud-Managed Switch Extender is a streamlined network expansion and connectivity enhancement solution designed to tackle power and connectivity challenges across diverse industries. With PoE technology and multiple PSE output ports, it eliminates network cabling and power wiring complexities and costs, offering a cost-effective, hassle-free way to extend your network reach and empower critical business applications.

Addressing Industry Challenges

Expanding networks, regardless of industry, poses significant hurdles, including:

Physical Distance: Covering vast areas requires flexible, simplified, long-distance deployment solutions.

Cost Constraints: Network expansion can be cost-prohibitive; the **Switch Extender** solution minimizes expenses.

Power Availability: The **Switch Extender** series' Power over Ethernet (PoE) technology effectively addresses power constraints and lack of power outlets.

Deployment Complexity: Technical intricacies are reduced through user-friendly design, cloud management, and simple deployment.

VLAN Trunking: Extending network segmentation to encompass every room, ensuring that each resident has VLAN-based personal networks within their apartments or dorms.

Features & Benefits

- 5x 10/100/1000 Base-T GbE ports
- Ports 2 through 4 are equipped with 802.3af/at PoE support, up to 30W per port
- Port 1 is PoE Input Port for Power and supports 802.3af/at/bt
- 10Gbps Switching Capacity
- Setup in minutes with app-based step by step instructions
- Quick-scan device register, remote monitoring, and troubleshooting
- Real-time system metrics, and remote configurations
- From anywhere cloud visibility and control
- IGMP snooping provides advanced multicast filtering & network efficiency
- Spanning Tree (RSTP) that promotes high availability and loop-free topology within Ethernet networks
- Voice VLAN for fast, reliable deployment of VoIP services

Technical Specifications

EXT1105P

Port Standards

802.3 10Base-T Ethernet

802.3u 100Base-TX Ethernet

802.3ab 1000Base-T Ethernet

802.3x Full-Duplex Flow Control

Network Ports

4x 10/100/1000Mbps Ports

1x 10/100/1000Mbps PoE Input Port for Power

PoE Capable Ports

Port 1 (PoE In) supports 802.3af/at/bt

Port 2 to Port 5 (PoE Out) supports 802.3af/at

All Gigabit Ethernet ports can output up to 30 Watts

Total PoE Budget

- Total PoE Budget is 15W when connected to a power source supporting 802.3at, which provides 30W
- Total PoE Budget is 30W when connected to a power source supporting 802.3bt type 3, which provides 60W
- Total PoE Budget is 60W when connected to a power source supporting 802.3bt type 4, which provides 90W

Power Source

PoE Power Delivery/PoE In (Port 1) supports 802.3af/at/bt

Switching Capacity

10Gbps

Flash Memory

32MB

Physical Interface

LED Indicators

System LED (Per Ethernet Port)

Ports

Link/Activity (per Ethernet port)

Speed (per Ethernet port)

Software Features

MAC Address Table

8K (Hardware Only)

Jumbo Frame

10K

Multicast Group

Max 8 groups

QoS Number of Priority Queues

8

QoS Trust Mode

802.1p

802.1p-DSCP

DSCP

Features

802.1W Rapid Spanning Tree

Multicast Filtering

IGMP v1/v2 Snooping

IGMP Snooping Fast Leave

Port Statistics

802.1Q VLAN tagging

Voice VLAN

Port-based VLAN

IPv4 Settings

Link Layer Discovery Protocol (LLDP)

IEEE 802.3az Energy Efficient Ethernet (EEE)

Weighted Round Robin Queue (WRR)

Simple Network Time Protocol (SNTP)

SYSLOG

Factory Default

Reboot

Find me

Environmental & Physical

Temperature Range

Operating: 32°F to 104°F (0°C to 40°C)

Humidity (Non-Condensing)

Operating: 5% - 95%

Dimensions & Weights

Device EXT1105P

Weight: 1.01lbs. (460g)

Length: 6.69" (170mm)

Width: 4.13" (105mm)

Height: 1.02" (26mm)

Packaging

Weight: 1.14lbs. (520g)

Length: 8.89" (226mm)

Width: 4.41" (112mm)

Height: 1.41" (36mm)

Package Contents

1 – Cloud Managed 5 Ports Gigabit Switch Extender

1 – Product Card

1 – Wall Mount Kit

1 – Adhesive Label

1 – Rubber Feet Cushion

Master Carton

Weight: 28.68lbs. (13.01kg)

Length: 18.42" (468mm)

Width: 9.37" (238mm)

Height: 9.64" (245mm)

No. of boxes per carton

10 units

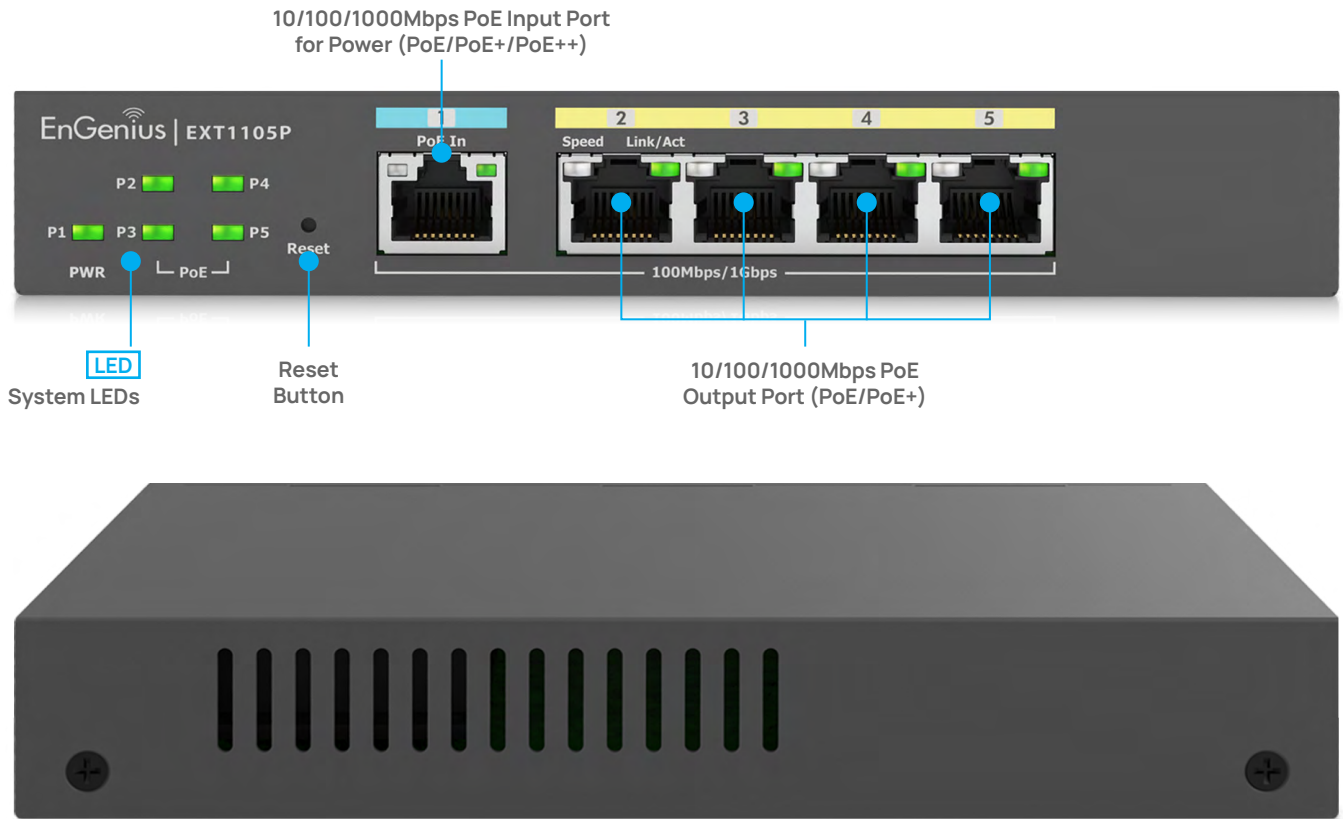
Certifications

CE, FCC, IC, LVD

Warranty

2 Year

Product Images



EnGenius Technologies | Costa Mesa, California, USA

Email: support@engeniustech.com
Website: www.engeniustech.com
Local Contact: (+1) 714 432 8668

EnGenius Networks Singapore Pte Ltd. | Singapore

Email: techsupport@engeniustech.com.sg
Website: www.engeniustech.com.sg
Local Contact: (+65) 6227 1088

EnGenius Technologies Canada | Ontario, Canada

Email: support@engeniustech.com
Website: www.engeniustech.com
Local Contact: (+1) 905 940 8181

EnGenius Networks Dubai | Dubai, UAE

Email: support@engeniustech-me.com
Website: www.engeniustech-me.com
Local Contact: (+971) 4 339 1227

EnGenius Networks Europe B.V. | Eindhoven, Netherlands

Email: support@engeniustech.com
Website: www.engeniustech.com
Local Contact: (+31) 40 8200 887

恩碩科技股份有限公司 | Taiwan, R.O.C.

Email: sales@engeniustech.com.tw
Website: www.engeniustech.com.tw
Local Contact: (+886) 933 250 628

Features and specifications subject to change without notice. Trademarks and registered trademarks are the property of their respective owners. These limits are designed to provide reasonable protection against harmful interference in a residential installation. This equipment generates, uses, and can radiate radio frequency energy and, if not installed and used in accordance with the instructions, may cause harmful interference to radio communications. Operation of this equipment in a residential area is likely to cause harmful interference in which case the user will be required to correct the interference at his/her own expense. Prior to installing any surveillance equipment, it is your responsibility to ensure the installation is in compliance with local, state and federal video and audio surveillance and privacy laws.

Version: 11/2023

EnGenius[®]